

STAINLESS STEEL
BASE CABINET WITH SINK
STANDARD SERIES

Model No: _____
Quantity: _____

FEATURES:

Our sinks are built of heavy gauge 16(1.5mm) stainless steel, fully welded joints with radius on all corners and polished as one-piece material. Legs are equipped adjustable bullet feet for easy leveling.

CONSTRUCTION:

Top and sink bowls are **Tig - welded**, polished joints for a monolithic appearance
Optional intermediate shelf is designed adjustable to hold and accommodate different products.
To ensure proper rigidity, Raqtan's sinks are never pressed, they are fully welded to exact specifications and standards.



SMB708090(BS40)WH



SMB708090(BS40)



SMB2138090(BS40)

MATERIAL:

PARTS	S-LINE (STANDARD)
TOP	S/S 304 1.5mm THICKNESS
UNDER SHELVES	S/S 304 1.0mm THICKNESS
BODY CONSTRUCTION	S/S 304 1.0mm THICKNESS
STIFFENERS	STAINLESS STEEL 430
BULLET FEET	ADJUSTABLE
LEGS(ROUND)	38mmØ S/S TUBES
EQUIPMENT BUILT	
FINISH	SMART FINISH & SPOT WELD
SURFACE	HAIRLINE FINISH (#4)
ASSEMBLY/SHIPPING	ASSEMBLE

DIMENSIONS:

SINGLE COMPARTMENT	LENGTH	700(SERIES)	800(SERIES)	DELIVERY – WT (700-800)	
	* 700		SMB707090(XXXX)	SMB708090(XXXX)	34.7 kg
TWO COMPARTMENT	LENGTH	700(SERIES)	800(SERIES)	DELIVERY – WT (700-800)	
	* 1300		SMB2137090(XXXX)	SMB2138090(XXXX)	48.1 kg

*** FAST DELIVERY**

ACCESSORIES:

DESCRIPTION	MODEL NO.
STRAINER DRAIN	ENCORE – E32-4900
ROTARY DRAIN	GXR-35T
DECK FAUCET	GXR7200DF

SMB _____ **90** (_____) _____

Number of sink:
1 = Single compartment sink
2 = Two compartment sink

Length

Width

900 Standard Height

Backsplash Type:
SQ20 = 20 Thickness
backsplash
BS40 = 40 Thickness
backsplash 45°

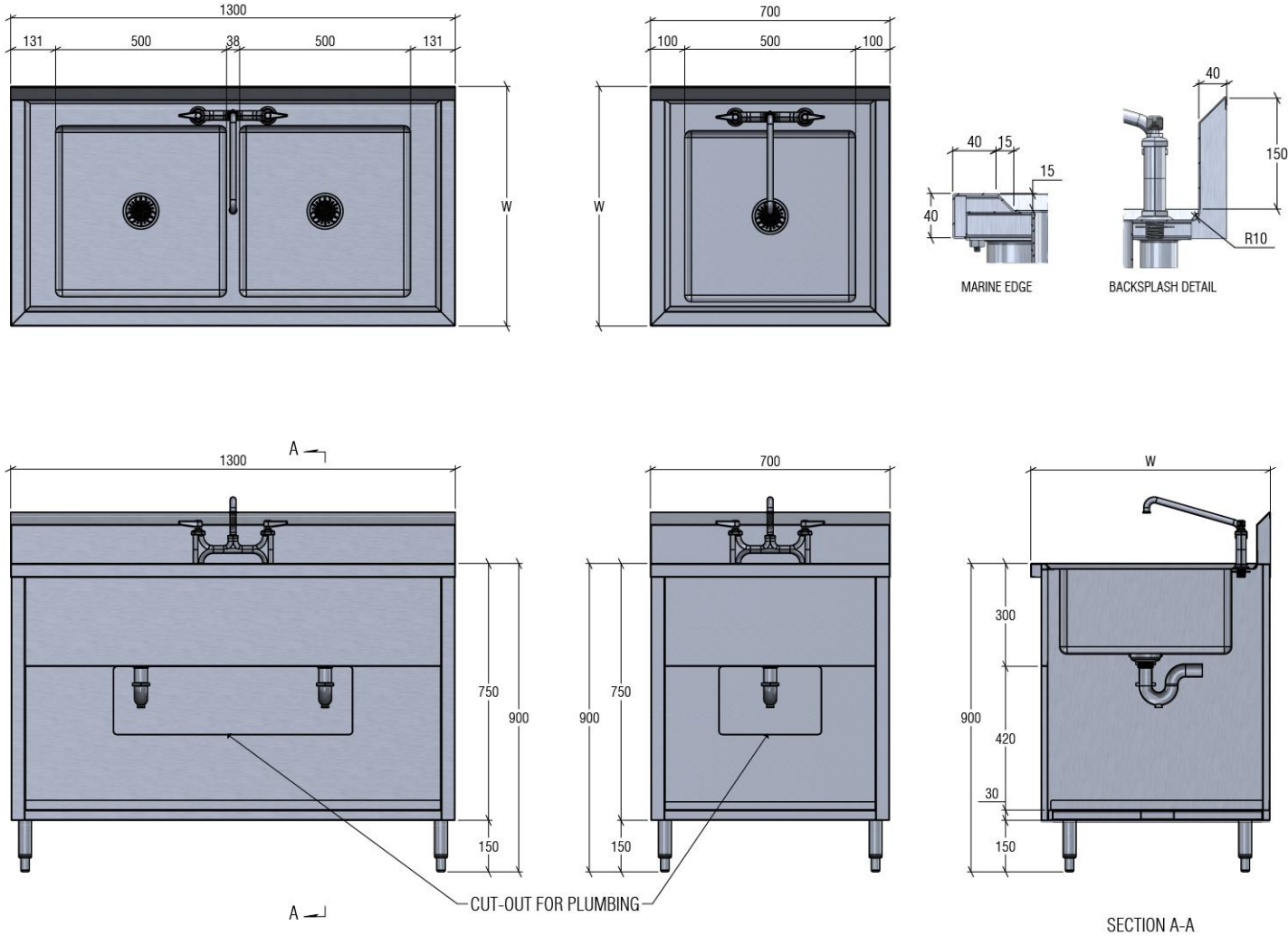
Options:
H = Self Closing Hinges
W = Swing door

SINK BOWL SIZE:

LOW VOLUME: 500 x 500 x 250
Faucet holes on 8" centers

STAINLESS STEEL
BASE CABINET WITH SINK
STANDARD SERIES

DIMENSION AND SPECIFICATIONS



ACCESSORIES AND OPTIONS(✦) :



RECESSED PULL HANDLE



LIFT-OFF HIGNES



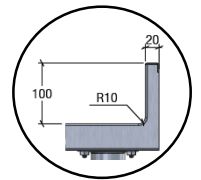
MAGNETIC DOOR CATCHES



HOT & COLD HOSE FITTING



✦ SELF CLOSING HIGNES



✦ BACKSPLASH (SQ20)