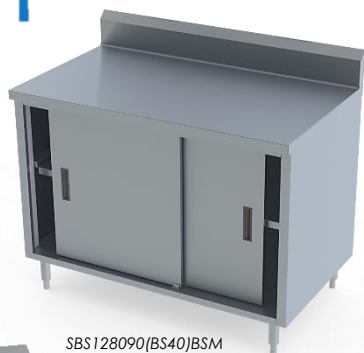


Model No: _____
Quantity: _____



SBS128090(BS40)BSM



SBS127090(BS40)BWM



SBS907090BM

FEATURES:

Top is furnished with modern square edge. The under top is reinforced with heavy duty stainless steel base frame and stiffeners. Legs are equipped adjustable bullet feet for easy leveling. As an option, cabinets can have swing or sliding doors, also can be equipped with casters.

CONSTRUCTION:

Fully welded front edges, ground and polished for a monolithic appearance. Mid shelf is designed Removable.

MATERIALS:

| PARTS | S-LINE (STANDARD) |
|------------------------|--|
| TOP | S/S 304 1.5mm THICKNESS |
| UNDER SHELVES | S/S 304 1.0mm THICKNESS |
| BODY CONSTRUCTION | S/S 304 1.0mm THICKNESS S/S 304 0.8 INNER SIDE PANELS |
| STIFFENERS | STAINLESS STEEL 430 |
| BULLET FEET | ADJUSTABLE |
| LEGS(ROUND) | 38mmØ S/S TUBES |
| EQUIPMENT BUILT | |
| SURFACE | HAIRLINE FINISH (304) |
| ASSEMBLY/SHIPPING | ASSEMBLE |

DIMENSIONS:

| LENGTH | 700(SERIES) | 800(SERIES) |
|--------|--------------------|--------------------|
| 900 | SBS907090(XXXX)XXX | SBS908090(XXXX)XXX |
| 1000 | SBS107090(XXXX)XXX | SBS108090(XXXX)XXX |
| 1200 | SBS127090(XXXX)XXX | SBS128090(XXXX)XXX |
| 1500 | SBS157090(XXXX)XXX | SBS158090(XXXX)XXX |
| *1800 | SBS187090(XXXX)XXX | SBS188090(XXXX)XXX |
| *2100 | SBS217090(XXXX)XXX | SBS218090(XXXX)XXX |

***UNITS BUILT WITH 3 LEGS AND PANEL IN MIDDLE (SEE DETAIL DRAWING)**

ACCESSORIES AND OPTIONS(✦):



RECESSED PULL HANDLE



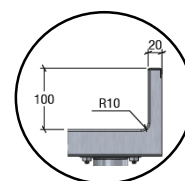
LIFT-OFF HIGNES



MAGNETIC DOOR CATCHES

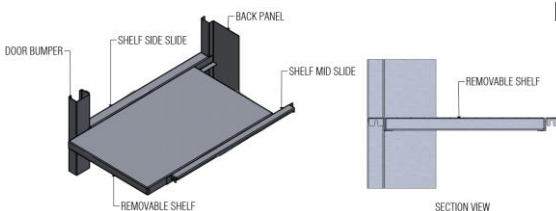


✦ SWIVEL CASTERS

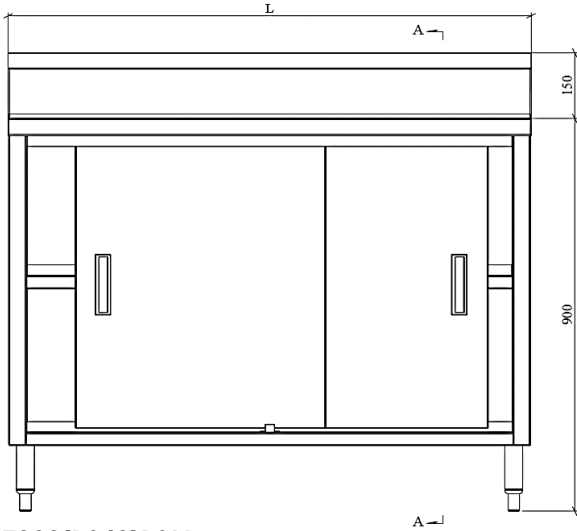


✦ SQ20 BACKSPASH (NON NSF)

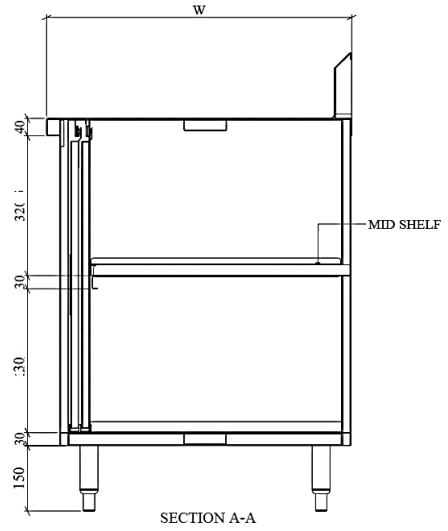
REMOVABLE SHELF ASSEMBLY



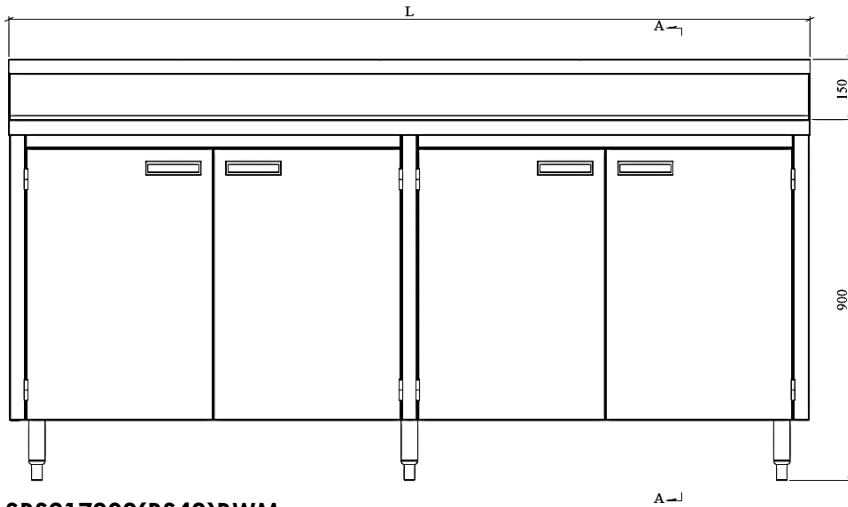
DIMENSION AND SPECIFICATIONS



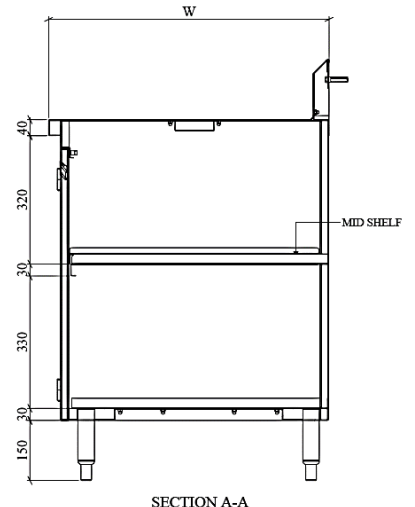
SBS127090(BS40)BSM



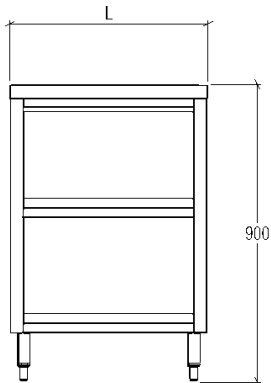
SECTION A-A



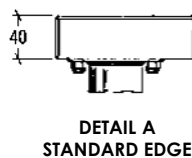
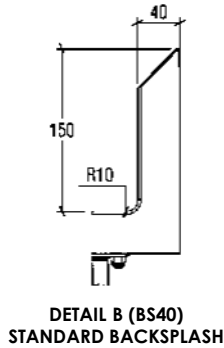
SBS217090(BS40)BWM



SECTION A-A



SBS907090BM



SBS _____ **90 ()** _____

| | |
|--|-------|
| LENGTH | _____ |
| WIDTH | _____ |
| HEIGHT (STANDARD) | _____ |
| BACKSPASH TYPE: BS40 = 40 THICKNESS BACKSPASH 45° SQ20 = 20 THICKNESS BACKSPASH (NON NSF) BLANK = ISLAND CABINET | _____ |
| B = BULLET FEET C = CASTER | _____ |
| S = SLIDING DOOR W = SWING DOOR BLANK = OPEN (NO DOORS) | _____ |
| M = REMOVABLE MID SHELF | _____ |