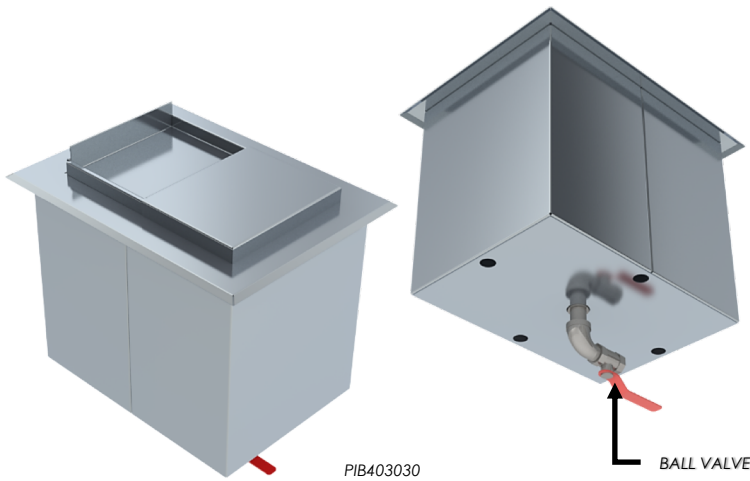


STAINLESS STEEL
DROP-IN ICE BIN
 STANDARD SERIES

Model No: _____
 Quantity: _____



FEATURES:

Drop-in Ice bins are built with 1.0mm stainless steel, fully welded joints with radii on all corners and polished for a smooth finish. Outer panels are insulated with high density polyurethane. Include perforated bottom plates, and drain with ball valve siphons away the melted ice. It has stainless steel sliding cover and Removable cover .

CONSTRUCTION:

Fully welded edges and polished joints for a monolithic appearance.

MATERIALS:

PARTS	S-LINE (STANDARD)
TOP PLATE	S/S 304 1.5MM THICKNESS 16 Gauge
TOP COVER & BOTTOM STRUCTURE	S/S 304 1.5MM THICKNESS 16 Gauge
INSULATION	HIGH DENSITY POLYURETHANE
EQUIPMENT BUILT	
SURFACE	HAIRLINE FINISH (304)
ASSEMBLY/SHIPPING	ASSEMBLE

DIMENSIONS:

LENGTH	MIN. = 300 (SERIES)	MAX. = 800 (SERIES)
400	PIB4030XX	PIB4080XX
500	PIB5030XX	PIB5080XX
600	PIB6030XX	PIB6080XX
700	PIB7030XX	PIB7080XX
800	PIB8030XX	PIB8080XX

TYPICAL SECTIONS:

