

STAINLESS STEEL  
**UPRIGHT SHELVES**  
STANDARD SERIES

Model No: \_\_\_\_\_  
Quantity: \_\_\_\_\_



SSS-154530-4



STL-154530-4

**FEATURES:**

Shelf is furnished with modern square with option of slotted shelf. Shelves are designed adjustable to accommodate different products

**CONSTRUCTION:**

Smart finished square nose. Fully welded front edges ground and polished for a monolithic appearance. Knockdown legs with adjustable shelf

**MATERIAL:**

PARTS	S-LINE (STANDARD)
SHELVES	S/S 304 1.2mm THICKNESS
UPRIGHTS	S/S 1.5mm 30x30 SQ. TUBE S/S 1.5mm 32x32 RD. TUBE
BRACKETS	S/S 304 2.0mm THICKNESS
ANGLE	S/S 304 1.0mm THICKNESS
<b>EQUIPMENT BUILT</b>	
FINISH	WELDED
SURFACE	HAIRLINE FINISH (#4)
ASSEMBLY/SHIPPING	Assembled

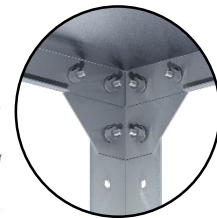
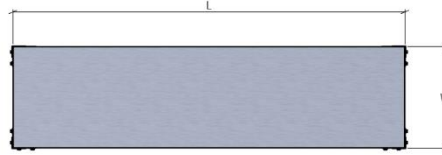
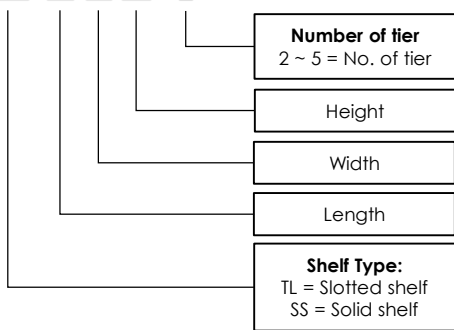
**DIMENSIONS:**

LENGTH	450(SERIES)	550(SERIES)	600(SERIES)	DELIVERY - WT
900	SXX-104530-X	SXX-105530-X	SXX-106030-X	30 kg
1100 	SXX-114530-X	SXX-115530-X	SXX-116030-X	33 kg
1200 	SXX-124530-X	SXX-125530-X	SXX-126030-X	36 kg
1400 	SXX-144530-X	SXX-145530-X	SXX-146030-X	39 kg
1500 	SXX-154530-X	SXX-155530-X	SXX-156030-X	42 kg
1800	SXX-184530-X	SXX-185530-X	SXX-186030-X	45 kg

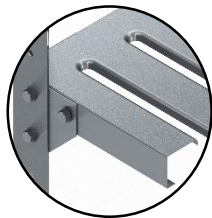
**DIMENSION AND SPECIFICATIONS**

 **FAST DELIVERY**

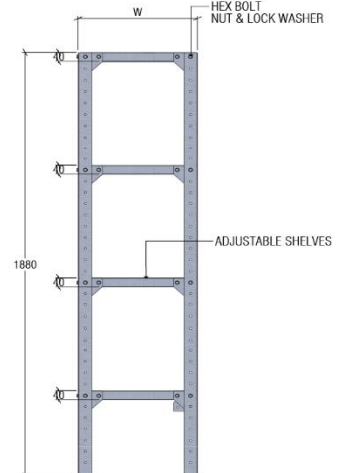
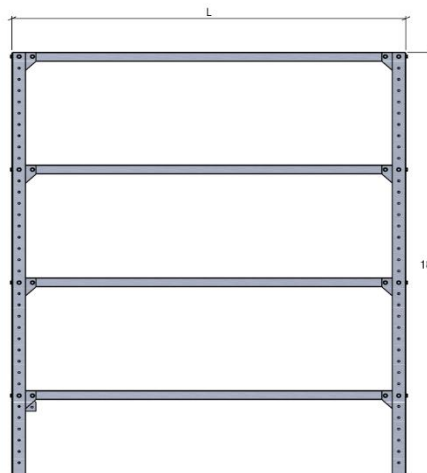
S - 18 -



SHELF MOUNTING  
DETAIL



SLOTTED SHELF  
DETAIL  
(CURRENTLY UNAVAILABLE)



**LOAD CAPACITY**  
**35KG PER 1 SQ. METER**  
**(NORMALLY DISTRIBUTED)**